



カーラントシリーズ

小型流量スイッチに

新しい仲間 **RNS-3/4**  
**NKS-1/2** が登場



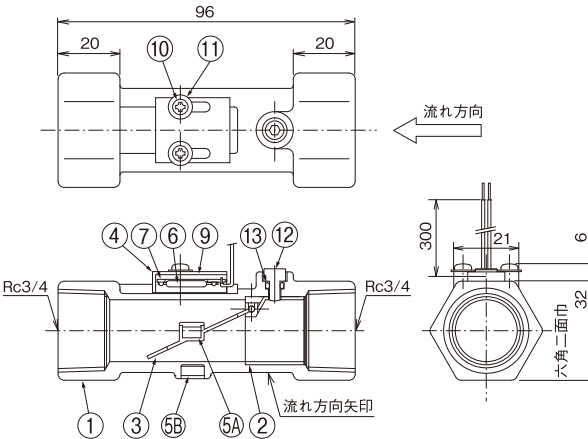
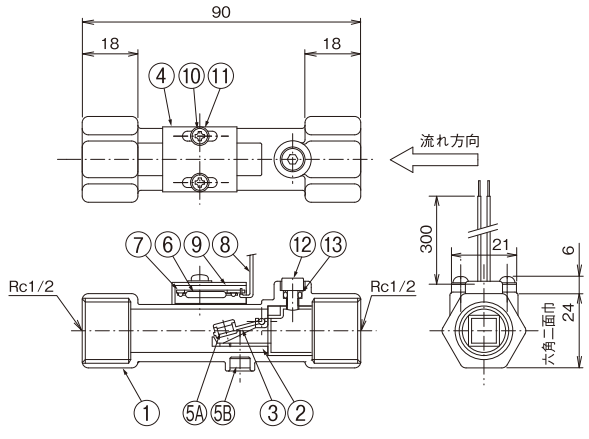


ロストワックス製法により、フロースイッチ本体をSCSにて製作することにより、

従来の金属製の製品に比べ、コストダウンを実現。

また、加工部が容易になり、金属製FSM-タイプより大幅コストダウン。

## ■主な仕様(本体金属製)

| 型 式      | RNS-3/4   | NKS-1/2   |     |     |    |   |     |       |   |   |      |     |   |   |          |     |   |   |              |     |   |    |     |       |   |    |                |     |   |   |               |          |   |   |    |     |     |    |   |     |      |   |   |               |         |   |   |           |             |   |    |         |        |   |    |       |        |   |    |         |        |   |    |           |     |   |
|----------|---|---|-----|-----|----|---|-----|-------|---|---|------|-----|---|---|----------|-----|---|---|--------------|-----|---|----|-----|-------|---|----|----------------|-----|---|---|---------------|----------|---|---|----|-----|-----|----|---|-----|------|---|---|---------------|---------|---|---|-----------|-------------|---|----|---------|--------|---|----|-------|--------|---|----|---------|--------|---|----|-----------|-----|---|
| 形 状      |    |  |     |     |    |   |     |       |   |   |      |     |   |   |          |     |   |   |              |     |   |    |     |       |   |    |                |     |   |   |               |          |   |   |    |     |     |    |   |     |      |   |   |               |         |   |   |           |             |   |    |         |        |   |    |       |        |   |    |         |        |   |    |           |     |   |
| 本 体 材 質  | SCS14   |   |     |     |    |   |     |       |   |   |      |     |   |   |          |     |   |   |              |     |   |    |     |       |   |    |                |     |   |   |               |          |   |   |    |     |     |    |   |     |      |   |   |               |         |   |   |           |             |   |    |         |        |   |    |       |        |   |    |         |        |   |    |           |     |   |
| 内部接液部品材質 | 変性ポリフェニレンエーテル (PPE) ※ポリプロピレン (PP) はオプション  |   |     |     |    |   |     |       |   |   |      |     |   |   |          |     |   |   |              |     |   |    |     |       |   |    |                |     |   |   |               |          |   |   |    |     |     |    |   |     |      |   |   |               |         |   |   |           |             |   |    |         |        |   |    |       |        |   |    |         |        |   |    |           |     |   |
| 接 続 部    | Rc3/4   | Rc1/2   |     |     |    |   |     |       |   |   |      |     |   |   |          |     |   |   |              |     |   |    |     |       |   |    |                |     |   |   |               |          |   |   |    |     |     |    |   |     |      |   |   |               |         |   |   |           |             |   |    |         |        |   |    |       |        |   |    |         |        |   |    |           |     |   |
| 設定流量(水)  | 1.5~18 L/min.   | 1.2~3.5 L/min.  |     |     |    |   |     |       |   |   |      |     |   |   |          |     |   |   |              |     |   |    |     |       |   |    |                |     |   |   |               |          |   |   |    |     |     |    |   |     |      |   |   |               |         |   |   |           |             |   |    |         |        |   |    |       |        |   |    |         |        |   |    |           |     |   |
| 設定流量(エア) | 90~700 L/min.   | 50~150 L/min.   |     |     |    |   |     |       |   |   |      |     |   |   |          |     |   |   |              |     |   |    |     |       |   |    |                |     |   |   |               |          |   |   |    |     |     |    |   |     |      |   |   |               |         |   |   |           |             |   |    |         |        |   |    |       |        |   |    |         |        |   |    |           |     |   |
| 接 点 定 格  | AC/DC100V AC10VA/DC10W 0.5A Max. AC/DC仕様を標準品とする   |   |     |     |    |   |     |       |   |   |      |     |   |   |          |     |   |   |              |     |   |    |     |       |   |    |                |     |   |   |               |          |   |   |    |     |     |    |   |     |      |   |   |               |         |   |   |           |             |   |    |         |        |   |    |       |        |   |    |         |        |   |    |           |     |   |
| 使 用 圧 力  | Max. 3.0 Mpa  |   |     |     |    |   |     |       |   |   |      |     |   |   |          |     |   |   |              |     |   |    |     |       |   |    |                |     |   |   |               |          |   |   |    |     |     |    |   |     |      |   |   |               |         |   |   |           |             |   |    |         |        |   |    |       |        |   |    |         |        |   |    |           |     |   |
| 使 用 温 度  | 0℃~86℃ 凍結なきこと   |   |     |     |    |   |     |       |   |   |      |     |   |   |          |     |   |   |              |     |   |    |     |       |   |    |                |     |   |   |               |          |   |   |    |     |     |    |   |     |      |   |   |               |         |   |   |           |             |   |    |         |        |   |    |       |        |   |    |         |        |   |    |           |     |   |
| リ ー ド 線  | #24AWG (UL-1007) L=300mm標準  |   |     |     |    |   |     |       |   |   |      |     |   |   |          |     |   |   |              |     |   |    |     |       |   |    |                |     |   |   |               |          |   |   |    |     |     |    |   |     |      |   |   |               |         |   |   |           |             |   |    |         |        |   |    |       |        |   |    |         |        |   |    |           |     |   |
| 耐 久 性    | 動作回数100万回以上   |   |     |     |    |   |     |       |   |   |      |     |   |   |          |     |   |   |              |     |   |    |     |       |   |    |                |     |   |   |               |          |   |   |    |     |     |    |   |     |      |   |   |               |         |   |   |           |             |   |    |         |        |   |    |       |        |   |    |         |        |   |    |           |     |   |
| 耐 衝 撃 性  | 294m/s <sup>2</sup> Max.  |   |     |     |    |   |     |       |   |   |      |     |   |   |          |     |   |   |              |     |   |    |     |       |   |    |                |     |   |   |               |          |   |   |    |     |     |    |   |     |      |   |   |               |         |   |   |           |             |   |    |         |        |   |    |       |        |   |    |         |        |   |    |           |     |   |
| 外形寸法図    |  <table border="1"> <thead> <tr> <th>品番</th> <th>品 名</th> <th>材 質</th> <th>個数</th> </tr> </thead> <tbody> <tr><td>1</td><td>本 体</td><td>SCS14</td><td>1</td></tr> <tr><td>2</td><td>カ ラー</td><td>PPE</td><td>1</td></tr> <tr><td>3</td><td>フ ラ ッ パー</td><td>PPE</td><td>1</td></tr> <tr><td>4</td><td>ス イ ッ チ ケー ス</td><td>PPE</td><td>1</td></tr> <tr><td>5A</td><td>磁 石</td><td>希 土 類</td><td>1</td></tr> <tr><td>5B</td><td>磁石(エポキシ(モールド))</td><td>***</td><td>1</td></tr> <tr><td>6</td><td>リ ー ド ス イ ッ チ</td><td>ORD228VL</td><td>1</td></tr> </tbody> </table> | 品番  | 品 名 | 材 質 | 個数 | 1 | 本 体 | SCS14 | 1 | 2 | カ ラー | PPE | 1 | 3 | フ ラ ッ パー | PPE | 1 | 4 | ス イ ッ チ ケー ス | PPE | 1 | 5A | 磁 石 | 希 土 類 | 1 | 5B | 磁石(エポキシ(モールド)) | *** | 1 | 6 | リ ー ド ス イ ッ チ | ORD228VL | 1 |  <table border="1"> <thead> <tr> <th>品番</th> <th>品 名</th> <th>材 質</th> <th>個数</th> </tr> </thead> <tbody> <tr><td>7</td><td>基 板</td><td>CEM3</td><td>1</td></tr> <tr><td>8</td><td>リ ー ド 線 AWG24</td><td>UL-1007</td><td>2</td></tr> <tr><td>9</td><td>モ ー ル ド 剤</td><td>ポ リ ウ レ タ ン</td><td>1</td></tr> <tr><td>10</td><td>止 メ ネ ジ</td><td>SUS304</td><td>2</td></tr> <tr><td>11</td><td>平 座 金</td><td>SUS304</td><td>2</td></tr> <tr><td>12</td><td>止 メ ネ ジ</td><td>SUS316</td><td>1</td></tr> <tr><td>13</td><td>"O" リ ン グ</td><td>NBR</td><td>1</td></tr> </tbody> </table> | 品番 | 品 名 | 材 質 | 個数 | 7 | 基 板 | CEM3 | 1 | 8 | リ ー ド 線 AWG24 | UL-1007 | 2 | 9 | モ ー ル ド 剤 | ポ リ ウ レ タ ン | 1 | 10 | 止 メ ネ ジ | SUS304 | 2 | 11 | 平 座 金 | SUS304 | 2 | 12 | 止 メ ネ ジ | SUS316 | 1 | 13 | "O" リ ン グ | NBR | 1 |
| 品番       | 品 名   | 材 質   | 個数  |     |    |   |     |       |   |   |      |     |   |   |          |     |   |   |              |     |   |    |     |       |   |    |                |     |   |   |               |          |   |   |    |     |     |    |   |     |      |   |   |               |         |   |   |           |             |   |    |         |        |   |    |       |        |   |    |         |        |   |    |           |     |   |
| 1        | 本 体   | SCS14   | 1   |     |    |   |     |       |   |   |      |     |   |   |          |     |   |   |              |     |   |    |     |       |   |    |                |     |   |   |               |          |   |   |    |     |     |    |   |     |      |   |   |               |         |   |   |           |             |   |    |         |        |   |    |       |        |   |    |         |        |   |    |           |     |   |
| 2        | カ ラー  | PPE   | 1   |     |    |   |     |       |   |   |      |     |   |   |          |     |   |   |              |     |   |    |     |       |   |    |                |     |   |   |               |          |   |   |    |     |     |    |   |     |      |   |   |               |         |   |   |           |             |   |    |         |        |   |    |       |        |   |    |         |        |   |    |           |     |   |
| 3        | フ ラ ッ パー  | PPE   | 1   |     |    |   |     |       |   |   |      |     |   |   |          |     |   |   |              |     |   |    |     |       |   |    |                |     |   |   |               |          |   |   |    |     |     |    |   |     |      |   |   |               |         |   |   |           |             |   |    |         |        |   |    |       |        |   |    |         |        |   |    |           |     |   |
| 4        | ス イ ッ チ ケー ス  | PPE   | 1   |     |    |   |     |       |   |   |      |     |   |   |          |     |   |   |              |     |   |    |     |       |   |    |                |     |   |   |               |          |   |   |    |     |     |    |   |     |      |   |   |               |         |   |   |           |             |   |    |         |        |   |    |       |        |   |    |         |        |   |    |           |     |   |
| 5A       | 磁 石   | 希 土 類   | 1   |     |    |   |     |       |   |   |      |     |   |   |          |     |   |   |              |     |   |    |     |       |   |    |                |     |   |   |               |          |   |   |    |     |     |    |   |     |      |   |   |               |         |   |   |           |             |   |    |         |        |   |    |       |        |   |    |         |        |   |    |           |     |   |
| 5B       | 磁石(エポキシ(モールド))  | ***   | 1   |     |    |   |     |       |   |   |      |     |   |   |          |     |   |   |              |     |   |    |     |       |   |    |                |     |   |   |               |          |   |   |    |     |     |    |   |     |      |   |   |               |         |   |   |           |             |   |    |         |        |   |    |       |        |   |    |         |        |   |    |           |     |   |
| 6        | リ ー ド ス イ ッ チ   | ORD228VL  | 1   |     |    |   |     |       |   |   |      |     |   |   |          |     |   |   |              |     |   |    |     |       |   |    |                |     |   |   |               |          |   |   |    |     |     |    |   |     |      |   |   |               |         |   |   |           |             |   |    |         |        |   |    |       |        |   |    |         |        |   |    |           |     |   |
| 品番       | 品 名   | 材 質   | 個数  |     |    |   |     |       |   |   |      |     |   |   |          |     |   |   |              |     |   |    |     |       |   |    |                |     |   |   |               |          |   |   |    |     |     |    |   |     |      |   |   |               |         |   |   |           |             |   |    |         |        |   |    |       |        |   |    |         |        |   |    |           |     |   |
| 7        | 基 板   | CEM3  | 1   |     |    |   |     |       |   |   |      |     |   |   |          |     |   |   |              |     |   |    |     |       |   |    |                |     |   |   |               |          |   |   |    |     |     |    |   |     |      |   |   |               |         |   |   |           |             |   |    |         |        |   |    |       |        |   |    |         |        |   |    |           |     |   |
| 8        | リ ー ド 線 AWG24   | UL-1007   | 2   |     |    |   |     |       |   |   |      |     |   |   |          |     |   |   |              |     |   |    |     |       |   |    |                |     |   |   |               |          |   |   |    |     |     |    |   |     |      |   |   |               |         |   |   |           |             |   |    |         |        |   |    |       |        |   |    |         |        |   |    |           |     |   |
| 9        | モ ー ル ド 剤   | ポ リ ウ レ タ ン   | 1   |     |    |   |     |       |   |   |      |     |   |   |          |     |   |   |              |     |   |    |     |       |   |    |                |     |   |   |               |          |   |   |    |     |     |    |   |     |      |   |   |               |         |   |   |           |             |   |    |         |        |   |    |       |        |   |    |         |        |   |    |           |     |   |
| 10       | 止 メ ネ ジ   | SUS304  | 2   |     |    |   |     |       |   |   |      |     |   |   |          |     |   |   |              |     |   |    |     |       |   |    |                |     |   |   |               |          |   |   |    |     |     |    |   |     |      |   |   |               |         |   |   |           |             |   |    |         |        |   |    |       |        |   |    |         |        |   |    |           |     |   |
| 11       | 平 座 金   | SUS304  | 2   |     |    |   |     |       |   |   |      |     |   |   |          |     |   |   |              |     |   |    |     |       |   |    |                |     |   |   |               |          |   |   |    |     |     |    |   |     |      |   |   |               |         |   |   |           |             |   |    |         |        |   |    |       |        |   |    |         |        |   |    |           |     |   |
| 12       | 止 メ ネ ジ   | SUS316  | 1   |     |    |   |     |       |   |   |      |     |   |   |          |     |   |   |              |     |   |    |     |       |   |    |                |     |   |   |               |          |   |   |    |     |     |    |   |     |      |   |   |               |         |   |   |           |             |   |    |         |        |   |    |       |        |   |    |         |        |   |    |           |     |   |
| 13       | "O" リ ン グ   | NBR   | 1   |     |    |   |     |       |   |   |      |     |   |   |          |     |   |   |              |     |   |    |     |       |   |    |                |     |   |   |               |          |   |   |    |     |     |    |   |     |      |   |   |               |         |   |   |           |             |   |    |         |        |   |    |       |        |   |    |         |        |   |    |           |     |   |

注) エア流量値は、20℃(大気圧)での値

※仕様および外観は改良などのため予告なしに変更することがあります。



ニコム測器は、シンプルでユニークなセンサを提供するメーカーです。  
**ニコム測器株式会社 Nicom Co., Ltd.**

〒678-1262 兵庫県赤穂郡上郡町岩木甲587-27

TEL. 0791-52-5122 FAX. 0791-52-5123

Eメール: info@nicom3.co.jp

<https://nicom3.co.jp>